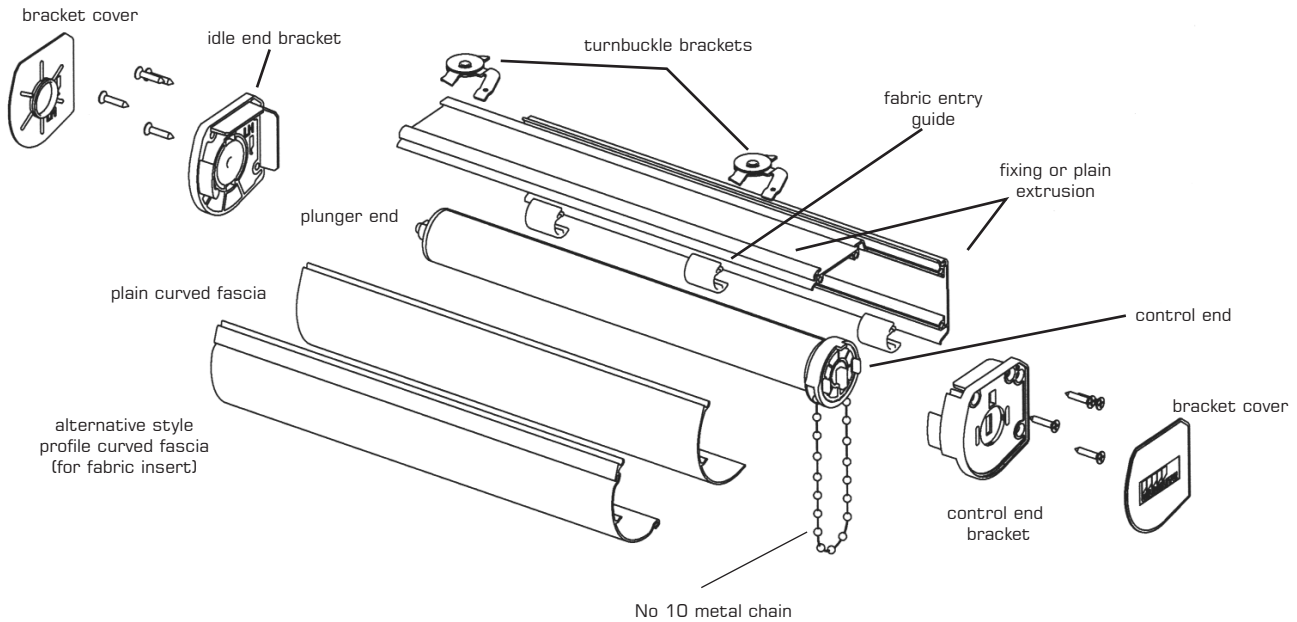


system 32[®] cassette

roller blind system

CI/SfB 1976 reference by SfB Agency	
(76.7)	X



plain extrusion	fixing extrusion	profile fascia	plain fascia	fabric entry guide
100% aluminium	100% aluminium	100% aluminium	100% aluminium	acetal
5m (5 1/2 yard) lengths	5m (5 1/2 yard) lengths	5m (5 1/2 yard) lengths	5m (5 1/2 yard) lengths	dimensions 20mm (3/4") x 15mm (5/8")
dimensions 57mm (2 1/4") x 10mm (5/8")	dimensions 57mm (2 1/4") x 10mm (5/8")	dimensions 63mm (2 1/2") x 10mm (5/8")	dimensions 63mm (2 1/2") x 10mm (5/8")	white
1.3mm (1/16") wall thickness	1.3mm (1/16") wall thickness	1.3mm (1/16") wall thickness	1.3mm (1/16") wall thickness	
white painted	white painted	white painted	white painted	

tube	side control end (white pin)	side control end (blue pin)	plunger end
100% aluminium	sprocket/sprocket guard acetyl	sprocket/sprocket guard acetyl	nylon 6
5m (5 1/2 yard) lengths	other parts mineral filled nylon or nylon 6	other parts mineral filled nylon or nylon 6	white
32mm (1 1/4") outside diameter	spring lock friction system	spring lock friction system	
1.05mm (3/64") wall thickness	unique bracket securing pin	unique bracket securing pin	
4mm (3/16") fabric locating slot/strengthening fin	choice of nylon or metal chain drive	choice of nylon or metal chain drive	
	maximum recommended operating weight - 2.25kg (5lbs)	maximum recommended operating weight - 3.5kg (8lbs)	

brackets	bracket covers	turnbuckle bracket	options
			spring return roller system
glass filled nylon	glass filled nylon	zinc plated and powder coated	No.10 plastic chain
white	white	white	easy break chain connector - plastic
			No.10 metal chain connector

